

HIGHLIGHT Fluorescent Lighting

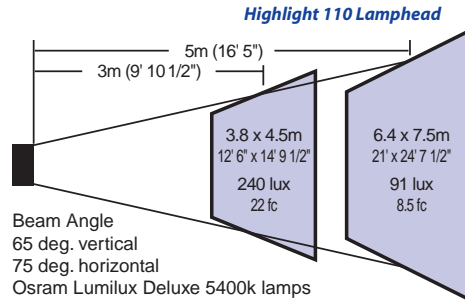
Adaptable and versatile lighting fixtures, Highlights form the foundation of a fluorescent lighting system. All use 55 Watt lamps in efficient reflectors, with light control accessories to suit a wide range of applications. Standard finish is black/red as illustrated. White finish is available to special order (add suffix W).

HIGHLIGHT 110

LAMPHEAD (2 x 55W lamps)

Ideal for location lighting or where ceiling height is limited, or anywhere a small broad fill light is required. Accepts colour frame, intensifier and honeycomb grids.

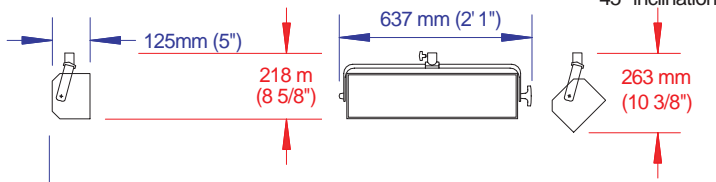
Mount: fits onto 16mm (5/8") spigot
Current draw at 220 to 260v approx. 1Amp



Catalogue Numbers:

A8624 Local dimmer control
A8622 DMX dimmer control
A8623 Phase dimmer control
for 3000K lamps add suffix T
for 5400K lamps add suffix D
for Pole Operation add suffix P
for Schuko style plug add suffix EUR
for 110v operation add suffix USA
for white finish add suffix W

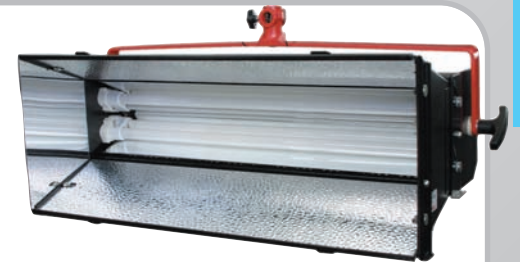
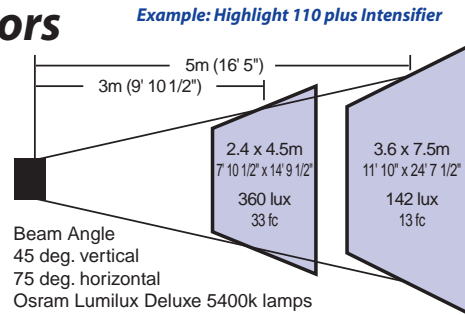
Highlight 110
lamphead
weight: 3.5kg (7lb 11oz)



Reflective Barndoors & Intensifiers

Available for 110, 220, 330 & 440

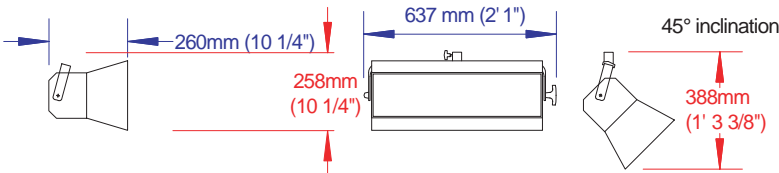
Both are available for each lamphead and are used to concentrate the beam and limit side spill. Intensifiers are more efficient, but are fixed beam angles, whilst barndoors allow adjustment.



Catalogue Numbers:

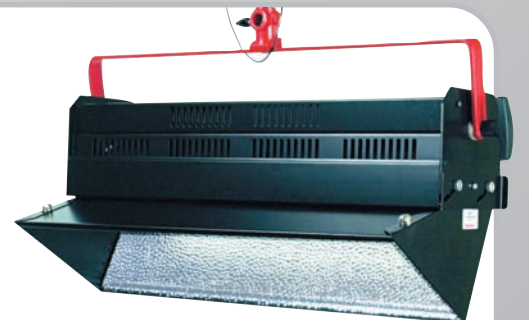
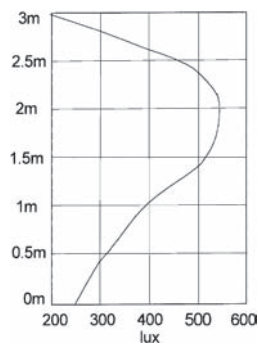
A8700 Intensifier (Shown above)
Weight: 0.75kg (1lb 10 1/2oz)
A8706 Reflective Barndoor
for white finish add suffix W

Highlight 110
+ intensifier
weight: 4.25kg (9lb 6oz)



HIGHLIGHT 110 Cyclorama Hood

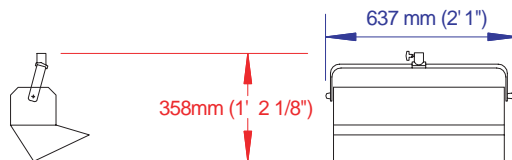
Fits onto the lamphead to light cycloramas up to 3 metres high, evenly. Simply mount the lamphead a distance away from the cyclorama equal to half the cyclorama height (e.g. for a 3 metre cyclorama mount 1.5 metres away). Maximum spacing 1.5 metres centre to centre.



Catalogue Numbers:

A8701 Cyc Hood for Highlight 110 (shown above)
Weight: 1.5kg (3lb 5oz)
A8703 Cyc Hood for Highlight 220 (not shown)
for white finish add suffix W

Highlight 110
+ cyclorama
hood
weight: 4.25kg (9lb 6oz)

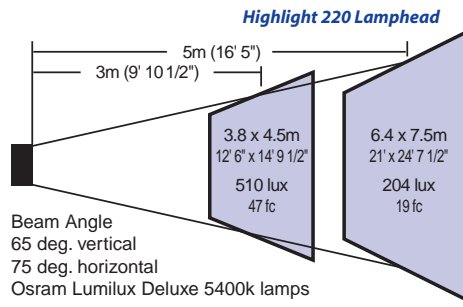


HIGHLIGHT 220

LAMPHEAD (4 x 55W lamps)

A general purpose lamphead for small and medium size studios and lighting for backgrounds in large studios. Accepts colour frame, intensifier and honeycomb grids.

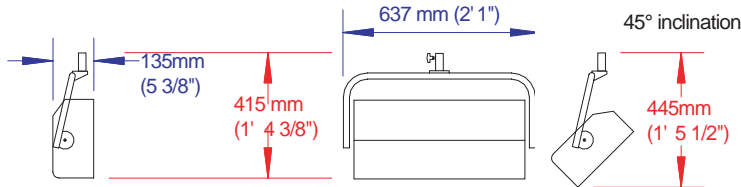
Mount: fits onto 16mm (5/8") spigot
28mm (1 1/8") TV Spigot option 60149
Weight: 5kg
Current draw at 220 to 260v approx. 1.5Amp



Catalogue Numbers:

A8644 Local dimmer control
A8642 DMX dimmer control
A8643 Phase dimmer control
for 3000K lamps add suffix T
for 5400K lamps add suffix D
for Pole Operation add suffix P
for Schuko style plug add suffix EUR
for 110v operation add suffix USA
for white finish add suffix W

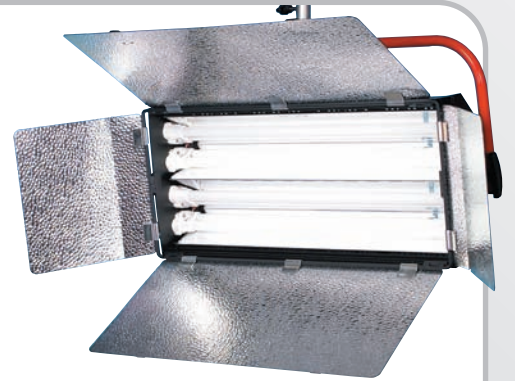
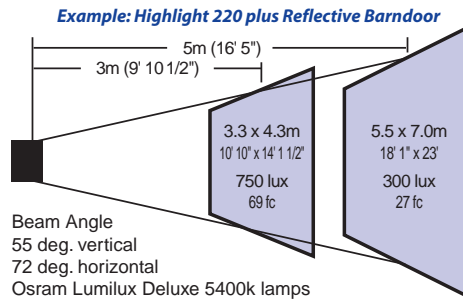
Highlight 220
lamphead
weight: 5kg (11lb 1oz)



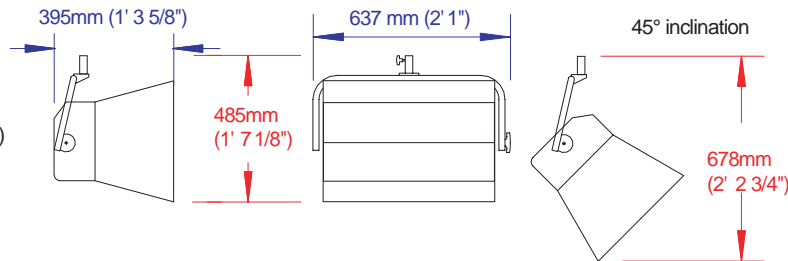
Reflective Barndoor

Available for 110, 220, 330 & 440

Because the doors are independently adjustable, the beam can be varied to suit the application, a useful feature for location use. Diffuser/gel clips are fitted.



Highlight 220
+ intensifier
weight: 6.5kg (14lb 6oz)



Catalogue Numbers:

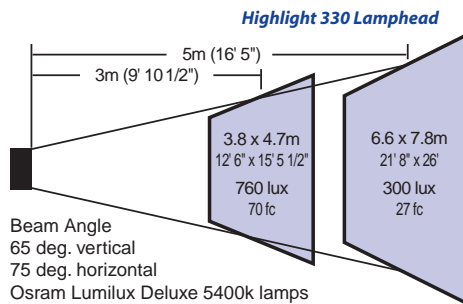
A8702 Intensifier
A8707 Reflective Barndoor
(Shown above)
Weight: 1.4kg (3lb 2oz)
for white finish add suffix W

HIGHLIGHT 330

LAMPHEAD (6 x 55W lamps)

A powerful lamphead for lighting large areas or where a high light level is required over an area, such as for art restoration and artwork photography.

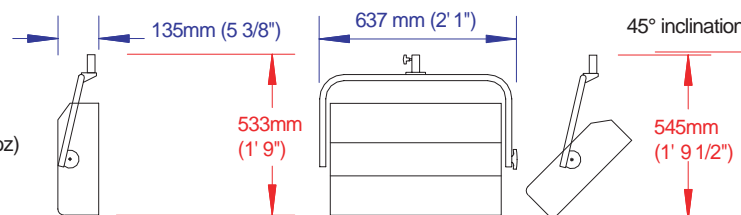
Mount: fits onto 16mm (5/8") spigot
28mm (1 1/8") TV Spigot option 60149
Weight: 6.5kg (14lb 4oz)
Current draw at 220 to 260v approx. 2Amp



Catalogue Numbers:

A8664 Local dimmer control
A8662 DMX dimmer control
A8663 Phase dimmer control
for 3000K lamps add suffix T
for 5400K lamps add suffix D
for Pole Operation add suffix P
for Schuko style plug add suffix EUR
for 110v operation add suffix USA
for white finish add suffix W

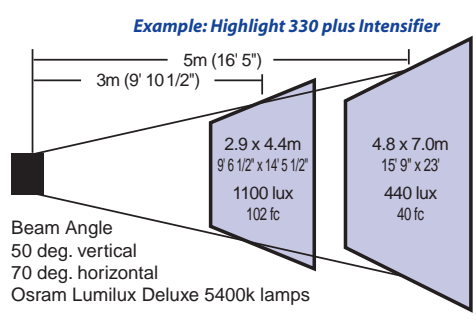
Highlight 330
lamphead
weight: 8.5kg (18lb 12oz)



Intensifier

Available for 110, 220, 330 & 440

Ideal for TV studio use, because side spill is eliminated, the intensifier can be fitted with honeycomb spot grids to restrict beam angle. Diffuser/gel clips are fitted.

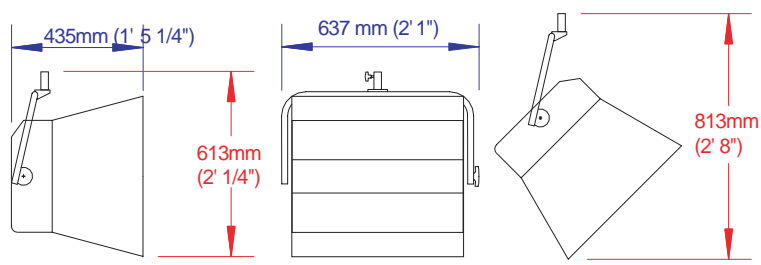


Mount: fits onto 28mm (1 1/4") TV spigot



Catalogue Numbers:
A8704 Intensifier (Shown above)
Weight: 1.8kg (4lb)
A8708 Reflective Barndoor
for white finish add suffix W

Highlight 330 + intensifier
weight: 8.5kg (18lb 12oz)



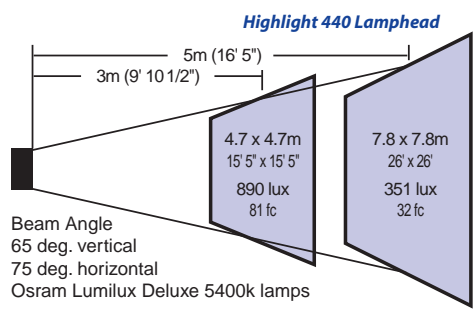
HIGHLIGHT 440

LAMPHEAD (8 x 55W lamps)

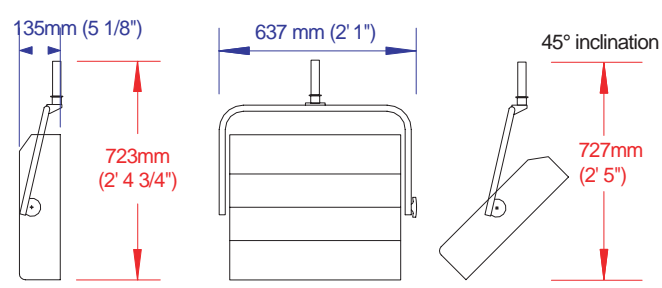
An extremely powerful lamphead for lighting large areas, or where a high light level is required over an area, such as virtual studios, art restoration and artwork photography.

Current draw at 220 to 260v approx. 2.5Amp

Highlight 440 lamphead
weight: 10kg (22lb)



Catalogue Numbers:
A8684 Local dimmer control
A8682 DMX dimmer control
A8683 Phase dimmer control
for 3000K lamps add suffix T
for 5400K lamps add suffix D
for Pole Operation add suffix P
for Schuko style plug add suffix EUR
for 110v operation add suffix USA
for white finish add suffix W

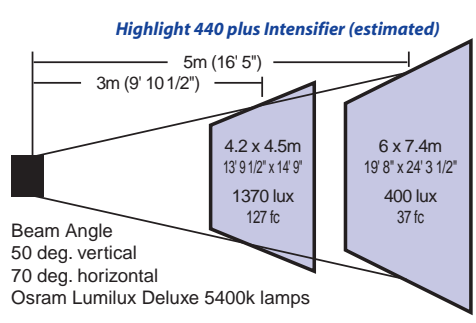


HIGHLIGHT 440 Reflective Barndoor

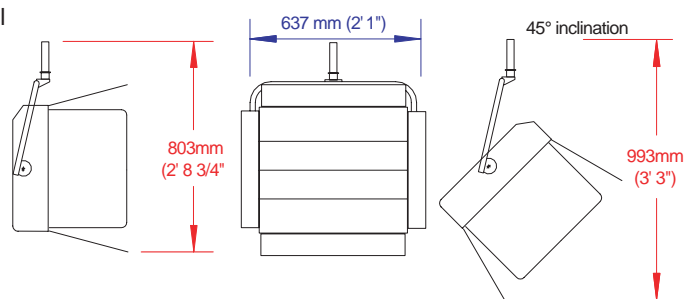
Available for 110, 220, 330 & 440

Because the doors are independently adjustable, the beam can be varied to suit the application, a useful feature for location use. Diffuser/gel clips are fitted.

Highlight 440 + barndoor
weight: 12.5kg (27lb 8oz)



Catalogue Numbers:
A8705 Intensifier
Weight: 2.5kg (5lb 7oz)
A8709 Reflective Barndoor (Shown above)
for white finish add suffix W

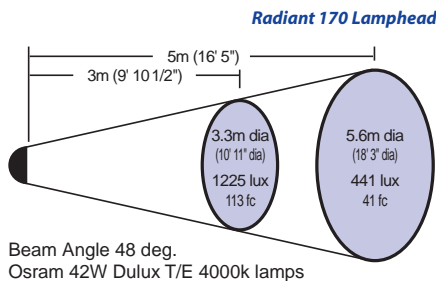


Radiant 170 Soft Spot

The Radiant 170 is a true fluorescent spotlight, ideal as a key or back light, or wherever long throws are required. The soft edge beam and 4000K lamps are particularly flattering to skin tones and texture. It is the perfect complement to the Highlight series, offering the same advantages of low power consumption and cool running. The 170 version uses four 42 Watt lamps and a more specular reflector to give better performance, though the lamphood can be fitted with 32 Watt lamps to give a Radiant 130, if preferred.

Radiant 170

Reflector diameter: 50cm (20")
 Mount: fits onto 16mm (5/8") spigot
 28mm (1 1/4") TV Spigot option - 60149
 Current draw at 220 to 260v approx. 1 Amp



Beam Angle 48 deg.
 Osram 42W Dulux T/E 4000k lamps



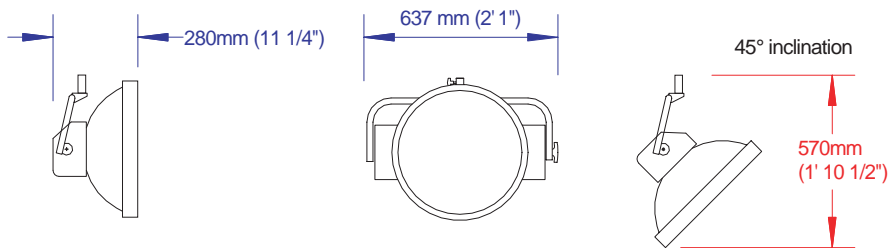
Other Options:

- for 3000K lamps add suffix T
- for 4000K lamps add suffix D
- for pole operation add suffix P
- for Schuko style plug add suffix EUR
- for 110v operation add suffix USA
- for white finish add suffix W

Catalogue Numbers:

- A8544 Local dimmer
- A8542 DMX dimmer control
- A8543 Phase dimmer operation

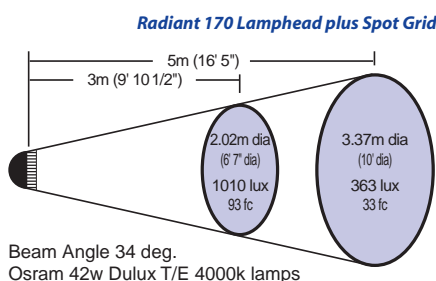
Radiant 170
 + spot grid
 weight: 7kg (15lb 8oz)



Radiant 170 Honeycomb Spot Grid

Used as a light shaping tool to reduce the beam angle and thus increase the spotlighting effect, or to prevent flare from backlights. Fits directly to the reflector rim. Weight: 1.1kg (2lb 7oz)

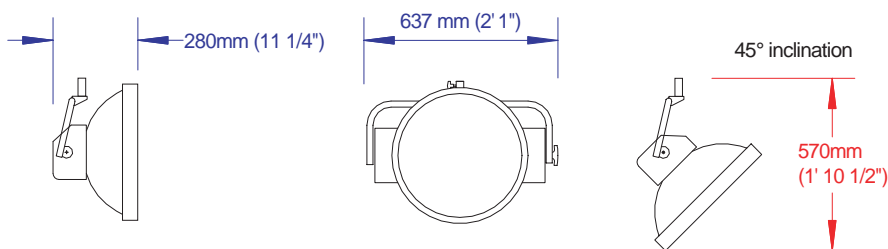
Catalogue Number: A8598



Beam Angle 34 deg.
 Osram 42w Dulux T/E 4000k lamps



Radiant 170
 + spot grid
 weight: 7kg (15lb 8oz)



Accessories to fit all Highlights

Colour frame with safety mesh

Removable holders to carry lighting gels for colour effects, diffusion or colour correction. Each colour frame incorporates a safety mesh screen to protect the lamps against damage.

Clear polycarbonate safety screens

Removable clear safety screens to protect the lamps against damage without affecting light output.

Honeycomb spot grids

These are used as a light shaping tool to reduce the beam angle, to create a spotlighting effect, or to prevent flare from backlights. They are available in 30 degree and 40 degree beam angles to fit either directly to the lamphead or to the intensifier.

For white finish add suffix W

Soft Cases for Highlights

A range of soft polycord cases designed to accept a Highlight luminaire and accessories, such as barndoors, intensifier, colour frame or Honeycomb grid. There is also a pocket to house the mains lead.

Colour Frame Catalogue Numbers:

A8710 to fit Highlight 110
A8711 to fit Highlight 220
A8712 to fit Highlight 330
A8716 to fit Highlight 440

Safety Screen Catalogue Numbers:

A8713 110 Polycarbonate safety screen
A8714 220 Polycarbonate safety screen
A8715 330 Polycarbonate safety screen
A8717 440 Polycarbonate safety screen

Spot Grid Catalogue Numbers:

A8720 30 degree for 110 head
A8721 40 degree for 110 head
A8722 30 degree for 110 intensifier
A8723 40 degree for 110 intensifier
A8724 30 degree for 220 head
A8725 40 degree for 220 head
A8726 30 degree for 330 head
A8727 40 degree for 330 head
A8730 30 degree for 440 head
A8731 40 degree for 440 head
A8728 30 degree for 220 intensifier
A8729 40 degree for 220 intensifier
A8732 30 degree for 330 intensifier
A8733 40 degree for 330 intensifier

Soft Cases Catalogue Numbers:

F830 Carrying case for 3 stands (unpadded)
F831 Soft polycord case for Highlight 110 or MicroBeam kit
F832 Soft polycord case for Highlight 220
F833 Soft polycord case for Highlight 330



Lamps for Highlights and Pampalites

All models of Highlight and Pampalite use the same selection of 55 Watt compact fluorescent lamps, all of which are interchangeable. Standard factory fitments are the Lumilux Deluxe lamps, which have a continuous spectrum for the best colour rendition, making them the first choice for television, silver halide and digital photography, cinematography, art restoration and demanding display situations. Where a higher light output is required, Osram Studioline lamps are available, which are specially designed to blend with studio tungsten (3200K) and HMI (5600K) light sources. These lamps are 25% brighter than Lumilux Deluxe lamps, but at a higher price and slightly lower colour rendition.

The highest light output lamps are Lumilux, which are 60% brighter than Lumilux Deluxe, but with a discontinuous spectrum so the colour rendition is not quite so good. Lumilux lamps are available in 3000K and 4000K co-related colour temperature.

Cat. No.	Description	Colour rendition	Luminous flux	Rated life	Notes
DL5593	Osram 55W Lumilux Deluxe 3000K	CRI 93 group 1A	3000 lumens	10,000 hrs.	original fitment in suffix T models
DL5595	Osram 55W Lumilux Deluxe 5400K	CRI 98 group 1A	3000 lumens	10,000 hrs.	original fitment in suffix D models
DL5583	Osram 55W Lumilux 3000K	CRI 85 group 1B	4800 lumens	10,000 hrs.	alternative fitment to order
DL5584	Osram 55W Lumilux 4000K	CRI 85 group 1B	4800 lumens	10,000 hrs.	alternative fitment to order
GE41903	GE CinemaPlus 55W 3700K	CRI 92 group 1A	2700 lumens	10,000 hrs.	alternative fitment to order
GE41911	GE CinemaPlus 55W 6200K	CRI 95 group 1A	2600 lumens	10,000 hrs.	alternative fitment to order

Lamps for the Radiant 170

The Radiant 170 uses four very compact triple turn tubular lamps, which combine with a parabolic reflector to give a remarkably narrow beam for a fluorescent luminaire of its size. Whilst the colour spectrum is not continuous, the colour rendition is perfectly acceptable for television use, and the 4000K lamp is particularly flattering to skin tones.

Cat. No.	Description	Colour rendition	Luminous flux	Rated life	Notes
DTE423	Osram 42W Dulux T/E 3000K	CRI 80-89 1B	3,200 lumens	10,000 hrs.	original fitment in suffix T models
DTE424	Osram 42W Dulux T/E 4000K	CRI 80-89 1B	3,200 lumens	10,000 hrs.	original fitment in suffix D models
DTE323	Osram 32W Dulux T/E 3000K	CRI 80-89 1B	2,400 lumens	10,000 hrs.	optional after-market fitment
DTE324	Osram 32W Dulux T/E 4000K	CRI 80-89 1B	2,400 lumens	10,000 hrs.	optional after-market fitment